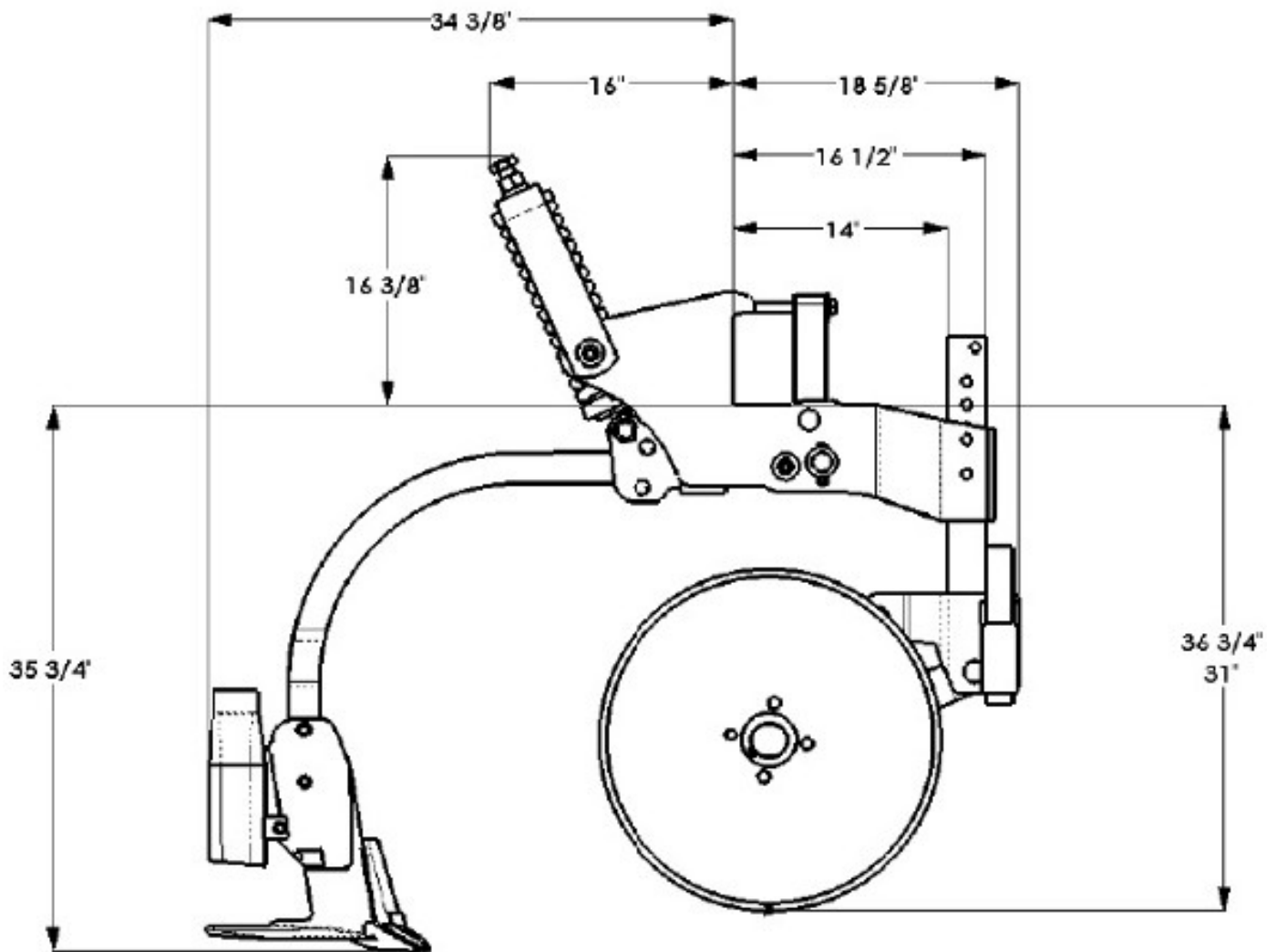


# GENERAL DIMENSIONS

## DIETRICH SERIES 70



Note: All dimensions are shown from bottom or rear of 4" X 6" toolbar.

US Patents 5865131  
6973884 8544395

**DSI, Inc.**

417 State Highway 117  
Goodfield, IL  
Ph. 309 965-5110

**WWW.DSIAG.COM**